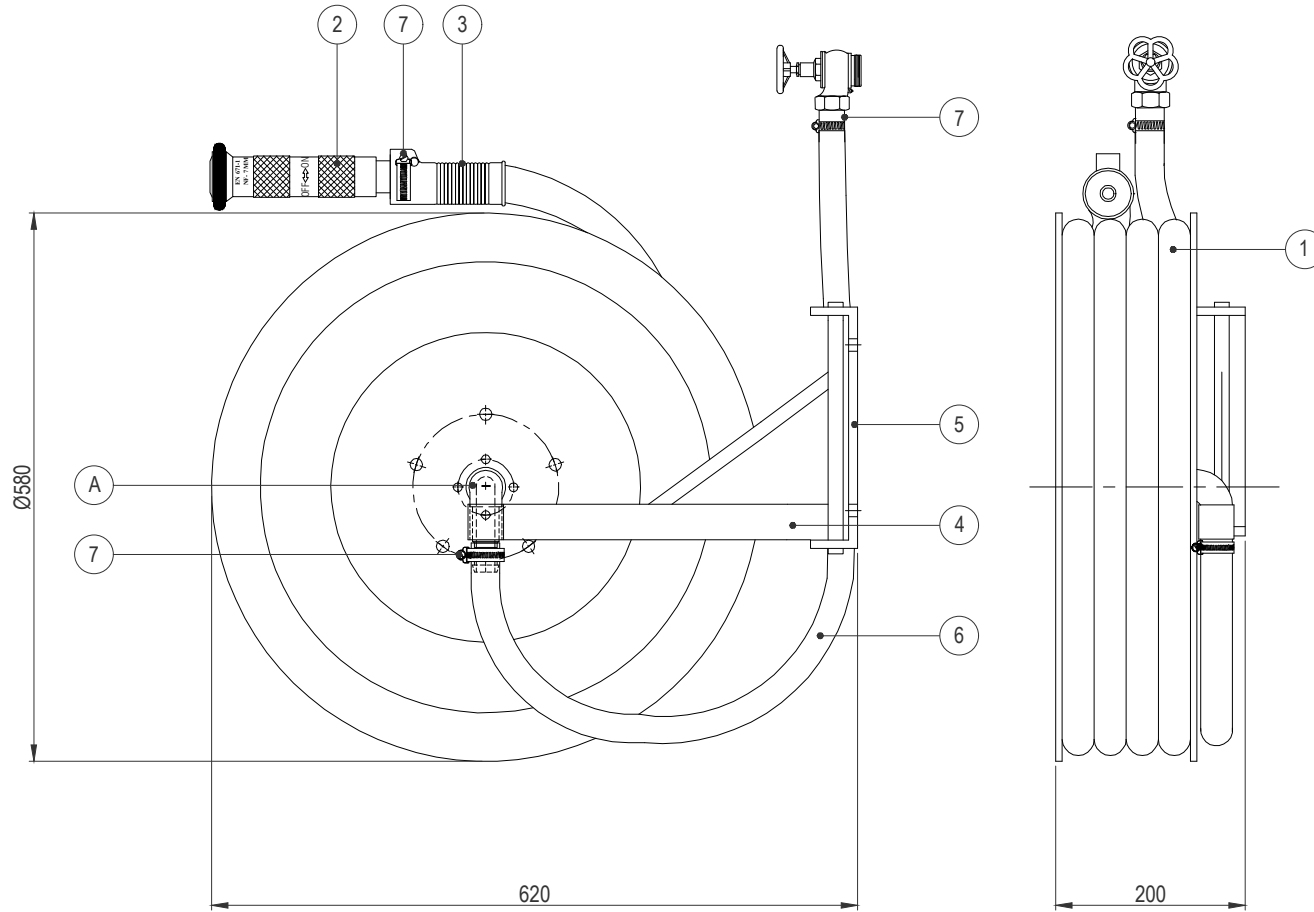


FIRE HOSE REEL - AUTOMATIC, SWINGING ARM TYPE  
 CABINET MOUNTED, MODEL: 19 NFH - 020A-B



NOTES :-

1. ALL DIMENSIONS ARE IN mm. UNLESS OTHERWISE SPECIFIED
2. HOSE REEL ASSEMBLY COMPLIANCE TO CPR DIRECTIVE 305/2011/EU IS CERTIFIED BY BSI (0086)..
3. THE NOZZLE HAVE SHUT, JET AND SPRAY CONTROL SETTINGS
4. THE MINIMUM FLOW RATE OF HOSE REELS IN CHROME PLATED ROTARY NOZZLE IS 53 LPM AT 6 BAR PRESSURE



BILL OF MATERIALS

ITEM NO.	DESCRIPTION	MATERIAL	QTY.
1.	HOSE 3/4"x30 M LG.	PVC COMPOUND	1
2.	ROTARY NOZZLE - 3/4"	BRASS CHROME PLATED	1
3.	HOSE HANDLE	HDPE, BLACK	1
4.	SWINGING ARM	FABRICATED	1
5.	BRACKET FOR SWINGING ARM	M.S PLATE	1
6.	CONNECTION HOSE ASSY.	PVC COMPOUND	1
7.	HOSE CLAMP	STAINLESS STEEL	5
A	HOSE REEL ASSY.	-----	1

SPECIFICATIONS:-

WORKING, TEST AND MINIMUM BURST PRESSURE OF HOSE REEL

NOMINAL DIA. OF HOSE MM	WORKING PRESSURE (MPA)	TEST PRESSURE (MPA)	MIN. BURST PRESSURE (MPA)
19	1.2	1.8	3.0

MANUFACTURING STANDARD : EN 671-1 : 2012